

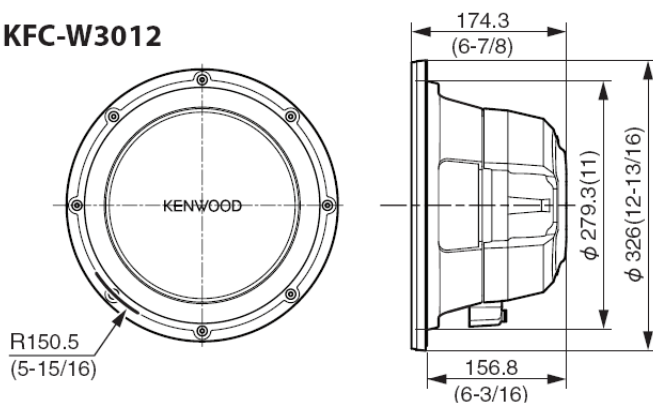
# KFC-W3012 / KFC-W2512

## Specifications

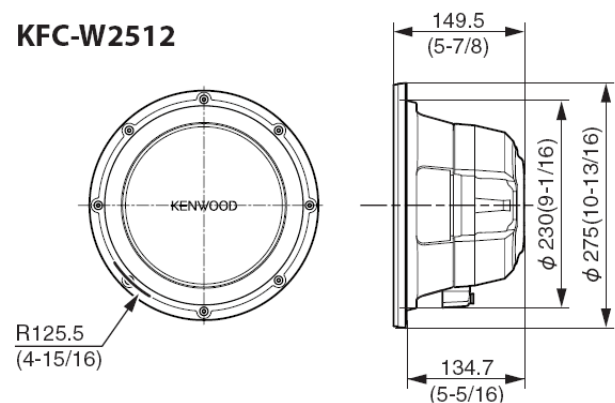
	■ KFC-W3012	■ KFC-W2512
<b>Subwoofer</b>	300 mm (12") PP Cone Type	250 mm (10") PP Cone Type
<b>Nominal Impedance</b>	4 Ω	4 Ω
<b>Maximum Peak Power</b>	1,200 W	1,000 W
<b>Maximum RMS Power</b>	400 W	300 W
<b>Sensitivity</b>	86 dB/W at 1 m	83 dB/W at 1 m
<b>Free Air Resonance</b>	32 Hz	44 Hz
<b>Frequency Response</b>	39-300 Hz	37-300 Hz
<b>Net Weight</b>	6,100 g	3,840 g

## Dimensions

KFC-W3012



KFC-W2512



## Technical specifications

	SYMBOL	UNIT	KFC-W3012
<b>Nominal Impedance</b>	Z	$\Omega$	4
<b>DC Resistance</b>	Revc	$\Omega$	3.4
<b>Voice Coil Inductance</b>	Levc	mH	1.40
<b>Piston Area</b>	Sd	sq.m	0.052
<b>Force Factor</b>	BL	T·m	9.8
<b>Volume Acoustic Compliance</b>	Vas	liter	62.0
		cu.ft	2.190
<b>Moving Mass</b>	Mms	g	158.8
<b>Resonance Frequency</b>	Fs	Hz	31
<b>Mechanical Q Factor</b>	Qms		11.864
<b>Electrical Q Factor</b>	Qes		1.107
<b>Total Q Factor</b>	Qts		1.012
<b>Peak Power</b>		W	1200
<b>Peak Excursion</b>	Xmax	mm	13.8
<b>Displacement</b>		cc	4448
		cu.ft	0.157
<b>Mounting Depth</b>		mm (in.)	156.8 (6-3/16)
<b>Weight of Magnet</b>		g (oz)	1780 (62.7)
<b>Voice Coil Diameter</b>		mm (in.)	65 (2-9/16)

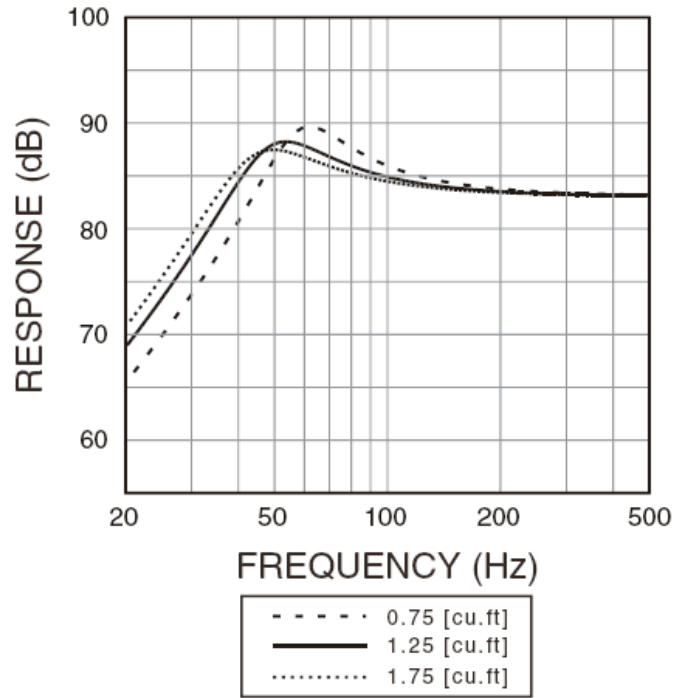
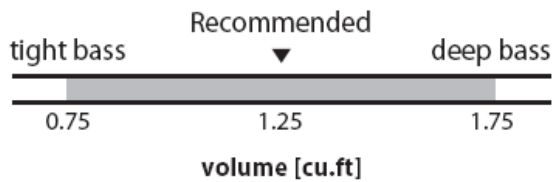
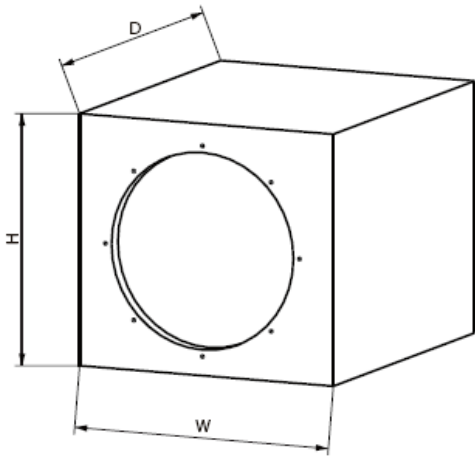
## Technical specifications

	SYMBOL	UNIT	KFC-W2512
<b>Nominal Impedance</b>	Z	$\Omega$	4
<b>DC Resistance</b>	Revc	$\Omega$	3.5
<b>Voice Coil Inductance</b>	Levc	mH	1.15
<b>Piston Area</b>	Sd	sq.m	0.035
<b>Force Factor</b>	BL	T·m	7.5
<b>Volume Acoustic Compliance</b>	Vas	liter	19.7
		cu.ft	0.696
<b>Moving Mass</b>	Mms	g	99.2
<b>Resonance Frequency</b>	Fs	Hz	48
<b>Mechanical Q Factor</b>	Qms		14.047
<b>Electrical Q Factor</b>	Qes		1.821
<b>Total Q Factor</b>	Qts		1.612
<b>Peak Power</b>		W	1000
<b>Peak Excursion</b>	Xmax	mm	12.9
<b>Displacement</b>		cc	2776
		cu.ft	0.098
<b>Mounting Depth</b>		mm (in.)	134.7 (5-5/16)
<b>Weight of Magnet</b>		g (oz)	1230 (43.3)
<b>Voice Coil Diameter</b>		mm (in.)	50 (1-15/16)

# KFC-W3012

## Recommended Enclosures

### SEALED

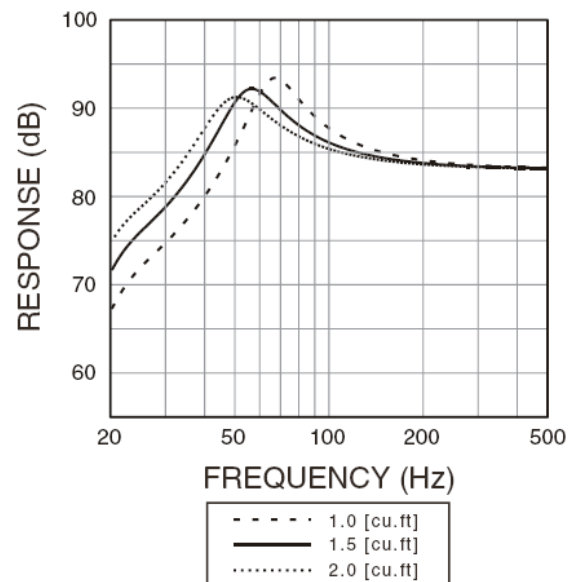
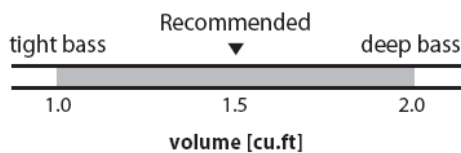
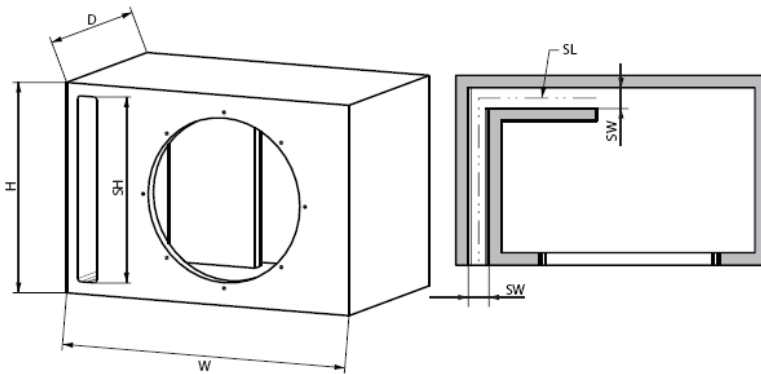


\*W, H, D : External Dimensions

Type	Inner Volume	W	H	D	Mounting Hole	Displacement
SEALED	1.25 cft (35.4 Liter)	375 mm (14-3/4")	370 mm (14-9/16")	355 mm (14")	282 mm (11-1/8")	0.157 cu.ft

Use 19mm (3/4 inch) thick Medium Density Fiberboard (MDF) or High Density Particleboard.

### PORTED



\*W, H, D : External dimensions

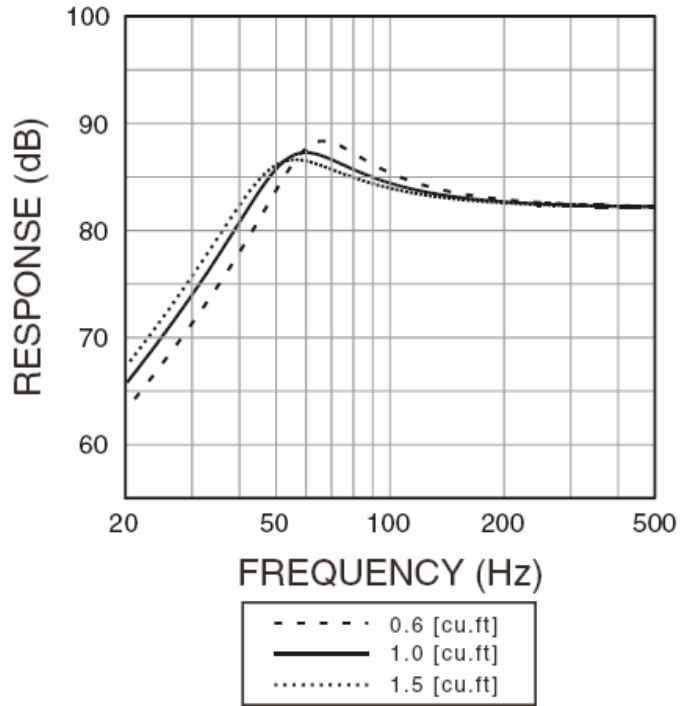
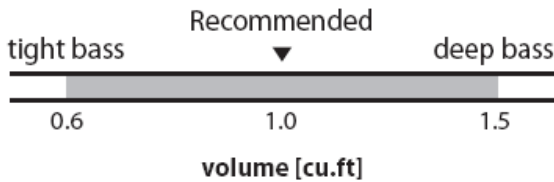
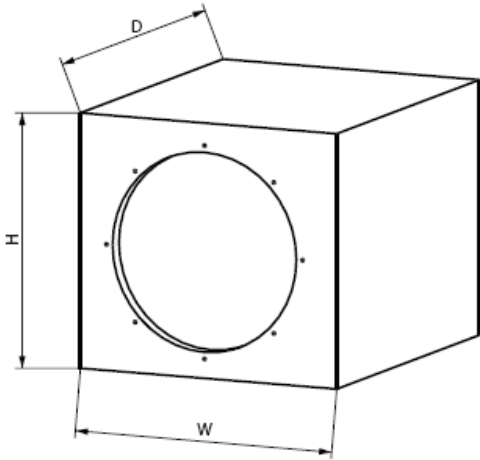
Type	Inner Volume	W	H	D	Mounting Hole	SW	SH	SL	Displacement
PORTED	1.5 cft (42.5 Liter)	507 mm (19-15/16")	360 mm (14-3/16")	320 mm (12-5/8")	282 mm (11-1/8")	35 mm (1-3/8")	322 mm (12-11/16")	500 mm (18-7/8")	0.157 cu.ft

Use 19mm (3/4 inch) thick Medium Density Fiberboard (MDF) or High Density Particleboard.

# KFC-W2512

## Recommended Enclosures

### SEALED

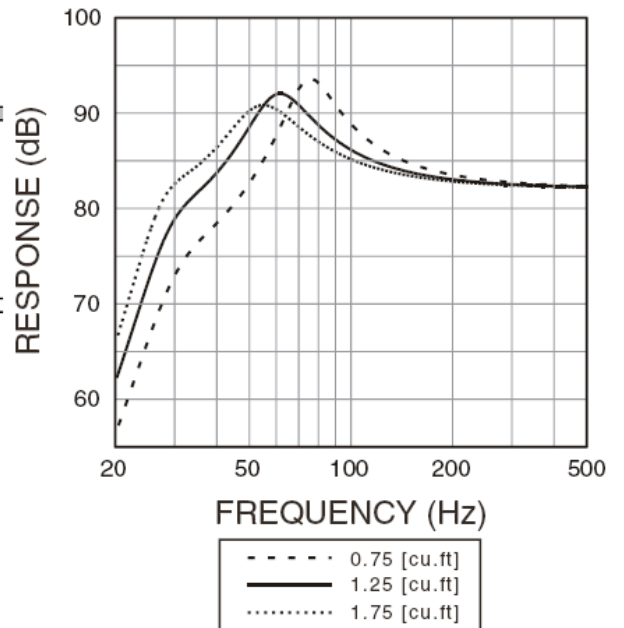
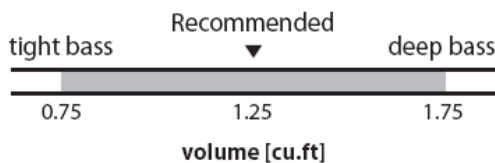
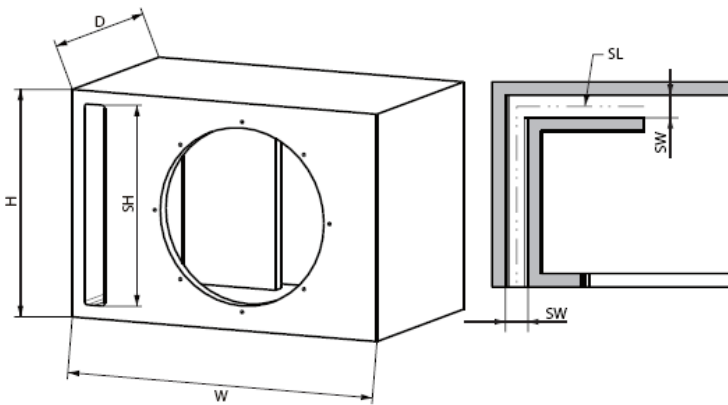


\* W, H, D : External Dimensions

Type	Inner Volume	W	H	D	Mounting Hole	Displacement
SEALED	1 cft (25.3 Liter)	330 mm (13")	375 mm (14-3/4")	325 mm (12-13/16")	233 mm (9-3/16")	0.098 cu.ft

Use 19mm (3/4 inch) thick Medium Density Fiberboard (MDF) or High Density Particleboard.

### PORTED



\* W, H, D : External dimensions

Type	Inner Volume	W	H	D	Mounting Hole	SW	SH	SL	Displacement
PORTED	1.25 cft (35.4 Liter)	485 mm (19-1/8")	340 mm (13-3/8")	300 mm (11-13/16")	233 mm (9-3/16")	35 mm (1-3/8")	302 mm (11-7/8")	400 mm (15-3/4")	0.098 cu.ft

Use 19mm (3/4 inch) thick Medium Density Fiberboard (MDF) or High Density Particleboard.